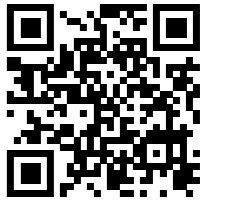


# Tap Outdoor POS Payment Terminal



Scan to know more!



Tap is an industrial-grade smart payment terminal for car washes, featuring a 10" multi-color display with fully integrated open loop and close loop EMV payment processing. Its built-in QR code engine lets customers scan to validate a wash pass and instantly trigger the wash sequence, no attendant needed. Rugged, modern, and built for unattended outdoor use, Tap is the turnkey replacement for outdated car wash payment systems.



Supports QR Code



Vandal-Proof



High Brightness Touchscreen

**10"**

DISPLAY

Multi Touch Color LCD, IK10 Panel

**EMV**

PAYMENTS

Open loop/Close loop Payment Support

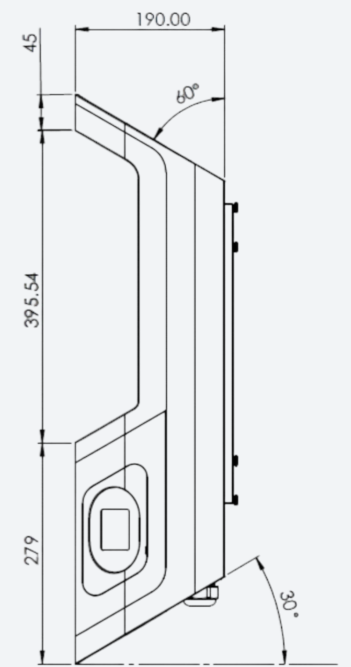
**QR**

SCAN QR

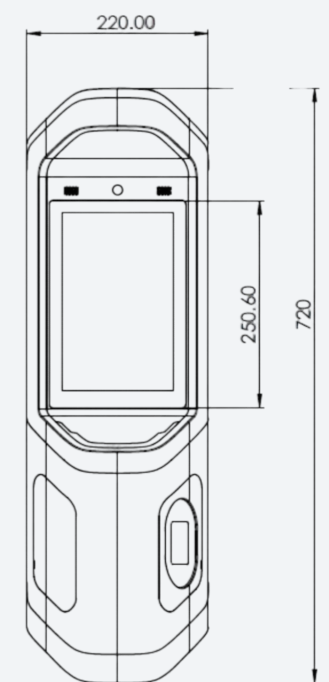
Supports QR Code to activate wash

# General Specifications

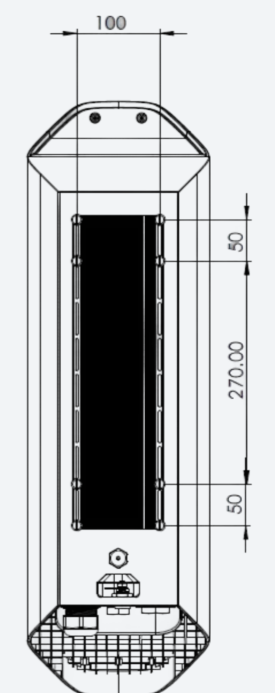
Software Platform	Yocto Linux, Android 14
Processor	Quad-Core core Cortex-A55 @ 2.0 GHz
NPU	1 TOPS
GPU	Mali-G52 GPU. Support OpenGL ES 1.1/2.0/3.2, OpenCL 2.0, Vulkan 1.1
RAM	2GB LPDDR4
Storage	16GB Flash
Display	10" multi-touch color LCD, IK10 glass panel (720 x 1280)
Card Readers	Contactless ISO14443 A & B, MIFARE family, Sony Felica, EMV Contactless
SAM	4 x SAM slots
Barcode Scanner	High Performance 1D/2D Scan Engine
Cellular	LTE-4G with Nano SIM card slot
Connectivity	Wi-Fi (Dual Band 2.4GHz/5GHz), BT 5.2
Positioning System	Multi-GNSS , GPS, Glonass, Galileo
LAN	1 x 10/100/1000Mbps
Serail Ports	1 x RS232, 1 x RS485
USB	2 x USB-C Host and OTG
Gpios	2 x Isolated Digital Input 4 x Isolated Digital Output
Audio	2 x 2W Speaker
Power	Input : 9-50 VDC, Consumption < 20W
Temperature	-40°Cto +60°C
Dimensions	720 mm (L) x 220 mm (W) x 190 mm (D)
Installation	Wall Mounted or Pedestal
Camera	12-MegaPixel OmniVision Camera (1080p30, 720p60 and VGA30 video modes)



**SIDE VIEW**



**FRONT VIEW**



**BACK VIEW**